



Features

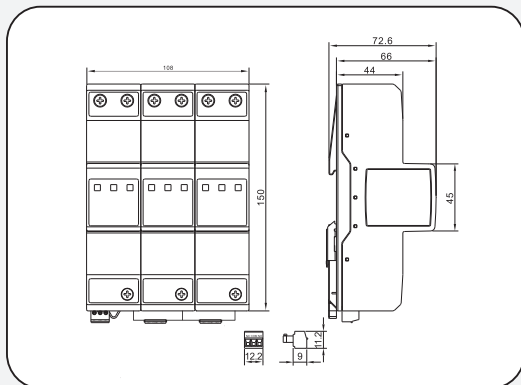
- MOV and CDGG technology
- Non-follow current
- Combined disconnection device
- High discharge capacity
- Capable of protecting terminal equipment
- Visual and remote status indication
- Multifunctional terminals for connecting conductors and busbars

DIN rail, combined Type 1&2 /Class I&II with MOV and CDGG technology for use in TN-C or IT system at boundaries from LPZ 0A-2

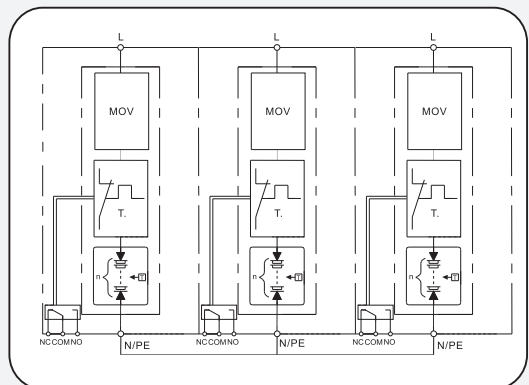
Approval

TUV、CE、RoHS、UL 94V-0

Dimension drawing



Circuit diagram

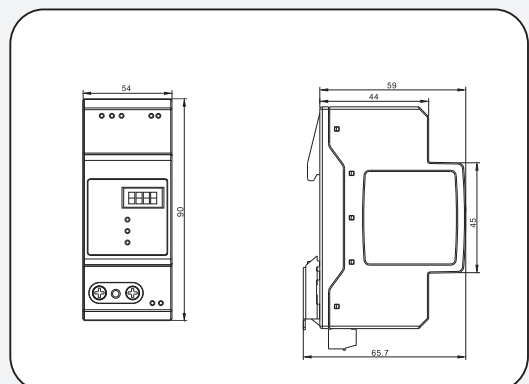


Monitoring module

Function: degradation monitoring
lightning monitoring
system communication



Dimension drawing



name	type	page
SPD monitoring module	LCS1-11	84

Type	FCI760AC-3+0	FCI760AC-3+0-S
Part No.	91 30 13	91 30 14
Electrical		
SPD according to IEC 61643-1/11	Class I + Class II	
SPD according to EN 61643-11	Type 1 + Type 2	
SPD according to GB 18802.1	Class I + Class II	
Number of ports	1	
Technology	MOV & CDGG	
Nominal Voltage (U _n)	400 / 690 Vac (IT 690 Vac)	
Max. continuous operating voltage (U _c)	760 Vac	
Lightning impulse current (10/350 μs) (I _{imp})	25 kA	
Specific energy (W/R)	156.25 kJ / ohms	
Charge (Q)	12.5 As	
Follow current extinguishing capability (I _n)	Infinite	
Voltage protection level (U _p)	3.5 kV	
Voltage protection level for 5kA (U _p)	2.5 kV	
Response time (t _a)	≤ 100 ns	
Max. overcurrent protection	≤ 250 AgL / gG	
Short-circuit withstand capability (I _{scw})	25 kA _{ms}	
Temporary overvoltage (TOV) (U _T)	1000 V / 5 s	
TOV characteristic	Withstand	
Mechanical		
Method of mounting	35 mm DIN rail	
Enclosure dimensions (HxWxD)	150 mm × 108 mm × 72 mm	+ 90mmx54mm x 66mm
Cross-sectional area (max.)	25 mm ² stranded / flexible	
Cross-sectional area (min.)	1.5 mm ² stranded / flexible	
Stripping length terminals	10 mm	
Torque contacts	3 N*m	
Indication		
Operating status/fault indication	Black / red	
Type of Changeover contact	Changeover contact	
Switching capacity	125 Vac / 1 A, 125 Vdc / 0.2 A	
Cross-sectional area (max.)	1.5 mm ²	
Stripping length for indication terminals	7 mm	
Torque contacts for indication terminals	0.2 N*m	
Environmental		
Location category	Indoor only	
Operation temperature range (T _o)	-40°C ... +70°C	
Relative humidity	≤ 95%	
Operation altitude	≤ 4 km	
Degree of protection	IP 20	
Enclosure material	Thermoplastic, UL 94 V-0	
Monitoring		
Communication mode	--	RS485/ZIGBEE
Monitoring approach	--	Remote signaling of SPD, Action time of lightning, Air-switch
Action current of lightning time	--	current of lightning ≥ 3kA
Reset	--	software