



DIN rail, Type 2 / Class II multi-purpose SPD with anti-vibration pluggable module for use in TN-S or TT system at boundaries from LPZ 0<sub>B</sub>-1 and higher.

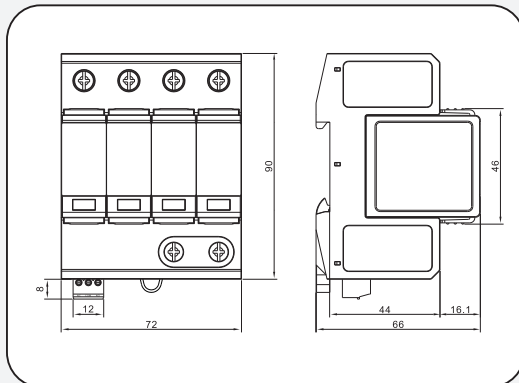
**Features**

- Non-destructive screening technology for MOV
- Reliable thermo disconnect device
- High discharge capacity
- Consisting of a base part and pluggable modules
- Easy replacing and anti-vibration due to module releasing and locking system
- Multifunctional terminals for connecting conductors and busbars
- Visual and remote status indication

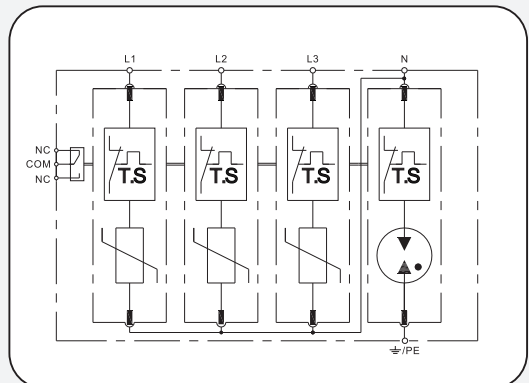
**Approval**

TUV、CE、RoHS、UL 94V-0

**Dimension drawing**



**Circuit diagram**

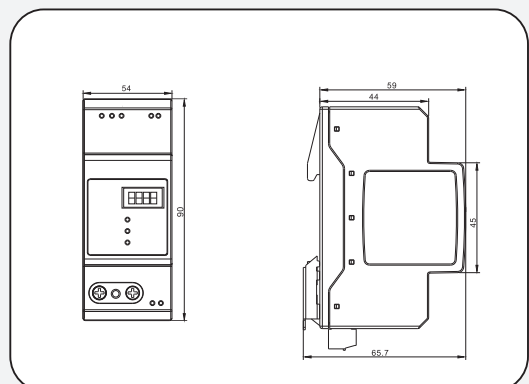


**Monitoring module**

Function: degradation monitoring  
lightning monitoring  
system communication



**Dimension drawing**



name	type	page
------	------	------

SPD monitoring module	LCS1-11	84
-----------------------	---------	----

Type	S385AC-3+1	S385AC-3+1-S
Part No.	92 31 40	92 31 41
<b>Electrical</b>		
SPD according to IEC 61643-1/11	Class II	
SPD according to EN 61643-11	Type 2	
SPD according to GB 18802.1	Class II	
Number of ports	1	
Technology	MOV & GDT	
Nominal Voltage (U <sub>n</sub> )	230 / 400 V	
Max. continuous operating voltage (U <sub>c</sub> )	385 Vac (L-N), 255 Vac (N-PE)	
Nominal discharge current (8/20 μs) (I <sub>n</sub> )	20 kA	
Max. discharge current (8/20 μs) (I <sub>max</sub> )	40 kA	
Voltage protection level (U <sub>p</sub> )	1.8 kV (L-N), 1.5kV (N-PE)	
Voltage protection level for 5kA (U <sub>p</sub> )	1.3 kV	
Response time (t <sub>a</sub> )	≤ 25 ns	
Max. overcurrent protection	≤ 125 AgL / gG	
Short circuit withstand capability (I <sub>scw</sub> )	25 kA <sub>ms</sub>	
Temporary overvoltage (TOV) (U <sub>t</sub> )	440 V / 5 s	
TOV characteristic	Withstand	
<b>Mechanical</b>		
Method of mounting	35 mm DIN rail	
Enclosure dimensions (HxWxD)	90 mm × 72 mm × 66 mm	+ 90 mm × 54 mm × 66 mm
Cross-sectional area (max.)	25 mm <sup>2</sup> stranded / flexible	
Cross-sectional area (min.)	1.5 mm <sup>2</sup> stranded / flexible	
Stripping length terminals	10 mm	
Torque contacts	3 N*m	
<b>Indication</b>		
Operating status/fault indication	Green / red	
Type of remote signaling contact	Changeover contact	
Switching capacity	125 Vac / 1 A, 125 Vdc / 0.2 A	
Cross-sectional area for remote signaling terminals (max.)	1.5 mm <sup>2</sup>	
Stripping length for remote signaling terminals	7 mm	
Torque contacts for indication terminals	0.2 N*m	
<b>Environmental</b>		
Location category	Indoor only	
Operation temperature range (T <sub>0</sub> )	-40°C ... +70°C	
Relative humidity	≤ 95%	
Operation altitude	≤ 4 km	
Degree of protection	IP 20	
Enclosure material	Thermoplastic, UL 94V-0	
<b>Monitoring</b>		
Communication mode	--	RS485/ZIGBEE
Monitoring approach	--	Remote signaling of SPD, Action time of lightning, Air-switch
Action current of lightning time	--	current of lightning ≥ 3KA
Reset	--	software